

Greater Johnstown Water Authority

640 Franklin Street – Johnstown, PA 15901
814-533-4300 FAX 814-536-0770

Sewage Compliance Form Instructions

- 1) Acquire a Sewage Compliance Form from the Greater Johnstown Water Authority Office located at 640 Franklin Street, Johnstown, PA; or online at <http://www.gjwa.com> and click on **Documents and Form** under Customer Service Section.
- 2) The owner of the property applying for sewage compliance certification must fill out the top part of the front page prior to the Sewage Compliance Officer arriving on-site. If there are multiple owners, **ALL OWNERS MUST SIGN**. No exceptions.
- 3) The property owner is responsible for hiring a contractor that holds a valid Pennsylvania license to perform work on residential properties or a Master Plumber's license to perform work on commercial properties. Proof of license must be provided upon request of any party. The property owner may perform pressure tests on any of their properties. The property owner may perform piping installations to the property on which they reside.
- 4) The property owner or contractor shall contact The Greater Johnstown Water Authority, 814-533-4300, between 8:00 am and 4:00 pm, to schedule an appointment for the Sewage Compliance Officer to witness/inspect the pressure test prior to backfilling. A minimum 24 hr. notice must be provided. No inspections will be performed on weekends or holidays. It is suggested that a pre-test be performed. If the pre-test fails, call GJWA at least 2hour prior to the scheduled appointment time, cancel the appointment and re-schedule for another day/time. Cancelled appointments will not be counted as an inspection. There will be a \$37.50 fee for each additional inspection.
- 5) The Sewage Compliance Officer will provide a viewport frame and cover at the time of the inspection, to be installed by the contractor.
- 6) The certificate must be provided to the Sewage Compliance Officer at the time of the pressure test. If everything is in compliance, the certificate will be approved, and the property owner shall provide a check for \$37.50 made payable to "GREATER JOHNSTOWN WATER AUTHORITY". A copy of the approved certificate will be sent to the property owner upon request.

GREATER JOHNSTOWN WATER AUTHORITY

640 Franklin Street
Johnstown, PA 15901

Procedures for lateral testing certification

- Upon completing replacement/rehabilitation of the GJWA's portion of the sewer, a written notice will be sent to the property owner by the GJWA to pressure test the private portion of the sanitary sewer lateral and connect or reconnect to the GJWA's collection system.
- Prior to the transfer of any property, all structures on said property that have public sanitary sewer service in the GJWA, a pressure test of all underground/under slab piping is required. All required piping that is tested must pass the pressure test prior to the transfer of the property.
- All properties proposing new taps to the sanitary sewer system must perform a pressure test of all underground and under slab piping. All piping that is tested must pass prior to connecting to the sanitary sewer system.
- All buildings that have public sanitary sewer service provided by the GJWA, must pass a pressure test of all underground/under slab piping. If testing is successful, a sewage compliance certificate will be issued.
- The property owner shall pay for all testing fees and repairs, if necessary, to bring the sanitary sewer piping into compliance with GJWA.
- Requests for inspection and witnessing of the testing must be made a minimum of 24 hours in advance of the requested time. Requests can be scheduled for weekdays between 8:00 am and 4:00 pm by calling GJWA at 533-4300. No inspections will be performed on weekends or Holidays.
- The inspecting representative will spend no more than 45 minutes on site for the inspection, whether the test passes or fails. Subsequent inspections resulting from failures will have to be rescheduled and a fee will be required prior to the inspections.
- Acceptable test method
 - Low Pressure Air Test - sanitary sewer piping must pass an air test of 5 psi for 15 minutes (no pressure drop).
- See attached Drawing No. 1 for sample of testing requirements.

Terminology

- Service lateral – the pipe that connects the building to the main sewer. The property line (viewport) represents the point at which ownership of the service lateral transitions from public (GJWA) to private (property owner).
- Viewport - a 6" diameter, vertical, open-ended pipe attached to the service lateral that provides a means for maintenance and viewing flows through the service lateral. The viewport is owned by the GJWA and is located as close to the property line as possible. The viewport is the transition point from GJWA owned to privately owned.
- Cleanout - a 4" diameter (min.), vertical, open-ended pipe attached to the service lateral that provides a means of maintenance and viewing flows through the service lateral. Cleanouts shall be installed within 5' of the building foundation, at intervals of 100' thereafter and at every 45-degree bend. Cleanouts must be installed by property owner.
- Trap – curved section of pipe that holds a quantity of water to prevent sewer gas and odors from rising up through the pipe.
- Building Drain – any sanitary sewer piping within the footprint of the structure
- Building Sewer - any sanitary sewer piping between the foundation wall and the viewport

Specifications (See attached Drawing No. 2 for repair details)

- All new sanitary sewer piping (underground or under slab) must be left uncovered for inspection by the Sewage Compliance Officer.
- Roof, surface, foundation, or underground/storm water drainage is **NOT** permitted.
- Floor drains are permitted but not required, unless the GJWA representative determines the floor drains to be an illegal connection such as allowing unmetered water.
- Install pipe in strict accord with manufacturer's recommendations.
- All pipe must be properly bedded on a 4" to 6" layer of compacted stone (2RC, 2A modified, or 2B) and upon inspection and approval by the GJWA's Sewage Compliance Officer, backfilled with 12" of compacted stone above the crown of pipe with the remainder of the trench backfilled with select suitable material. **SLAG IS NOT PERMITTED FOR PIPE BEDDING OR FIRST 12" OF BACKFILL ABOVE PIPE.**
- Slag is permitted but not required to be used above the pipe zone for backfill.
- All pipe shall be installed with at least minimum slope.
 - 4" pipe – minimum slope = 1/4" per foot
 - 6" pipe – minimum slope = 1/8" per foot
- All pipe shall be laid with full and even bearing with no block support.
- For transitions between SDR 35 and SCH 40, solid sleeve couplings shall be used.
- Where connections to existing pipes are required and a solid sleeve coupling is **NOT** manufactured, a **reinforced coupling** is required.
- Eccentric Reducers are required to transition between different diameter pipes.
- Tees shall be used for cleanouts and viewports only. Otherwise, directional wye fittings shall be used.

➤ Building Drain

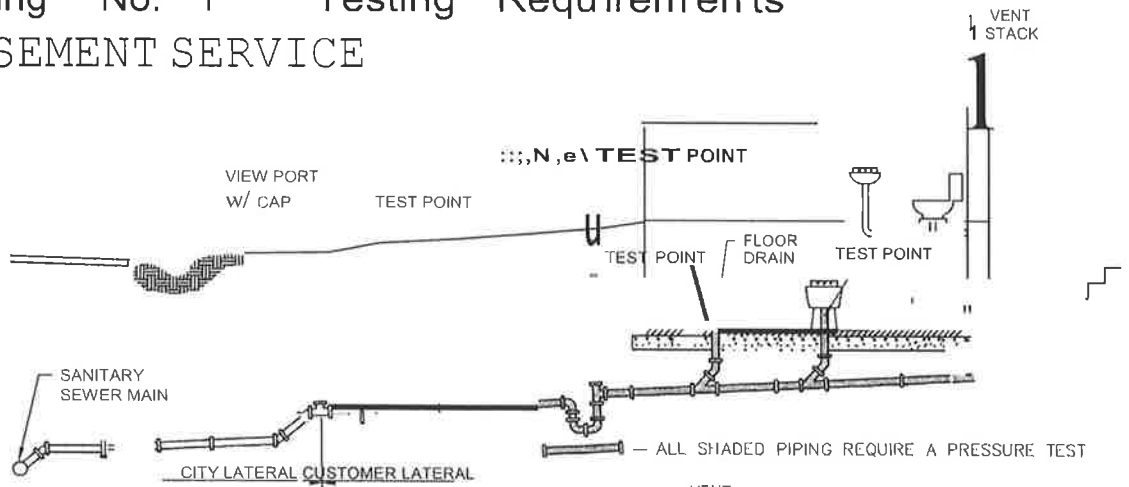
- No pipe shall be smaller than 2" diameter for building drain
- All building drainpipe and fittings must meet International Plumbing Code Standards
 - Bell trap floor drains are **NOT** permitted.
- 90-degree bends may be used vertically, but **NOT** horizontally.
- 'S' traps are not permitted.
- PVC Schedule 40 pipe with solvent weld joints will be permitted under slab within the building footprint only. Purple primer must be used on all solvent weld pipe joints. Testing of all buried plumbing is required.

➤ Building Sewer

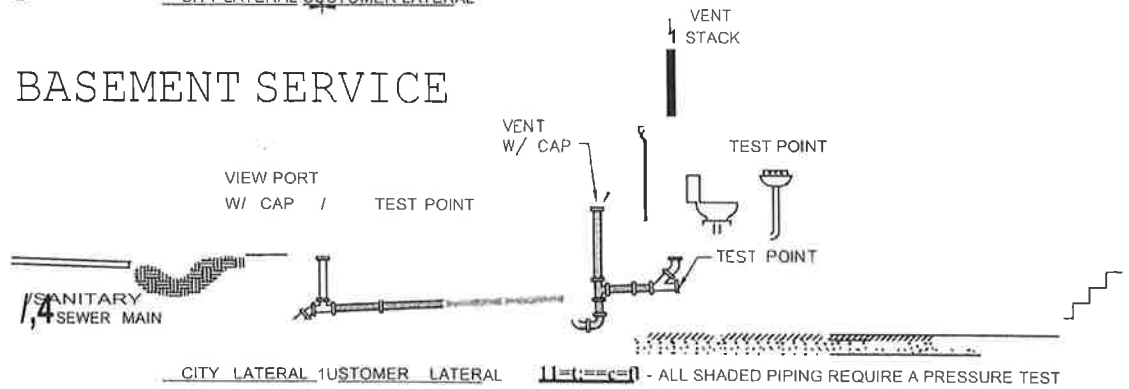
- All building sewer pipe shall be a minimum of 30 inches deep from the crown of the pipe
- No pipe shall be smaller than 4" diameter for building sewer
- No bend greater than 45 degrees can be used on the building sewer
- All building sewer pipe and fittings must meet or exceed SDR 35 ASTM D3034 or CL50, CL51 double cement lined ANSI A.21.51, A.21.10 for DIP ductile iron pipe. **Alternative materials and methods must be submitted to the GJWA's inspector for review and approval.**
- A vented trap shall be installed within five feet of the building. Owner must sign a waiver if a vented trap is not installed.
- A cleanout shall be installed within five feet of the building foundation, at 100 feet intervals thereafter and at every 45-degree bend.
- Tees shall be used for cleanouts and viewports only. Otherwise, directional wye fittings shall be used.

- A backflow prevention valve is permitted but not required. The location of the backflow prevention valve shall be as close to the viewport as possible on the private property side. If a backflow prevention valve is to be installed, please contact a GJWA representative prior to installation for more specifications and information.
- If installation of a viewport is required by the property owner due to property transfer or work on the private portion of the lateral prior to replacement of the GJWA's portion, the viewport shall be installed at the property line and constructed of 6" diameter pipe and non-directional tees. An eccentric reducer shall be installed to transition from the 6" diameter pipe to 4" diameter pipe on the private property side of the viewport, if necessary. A cast iron frame and cover, supplied by the GJWA, shall be installed in accordance with the attached drawing (STD. 175).
- A clay trench plug shall be installed on the building sewer. The location is at the property owner's discretion.

Drawing No. 1 Testing Requirements BASEMENT SERVICE

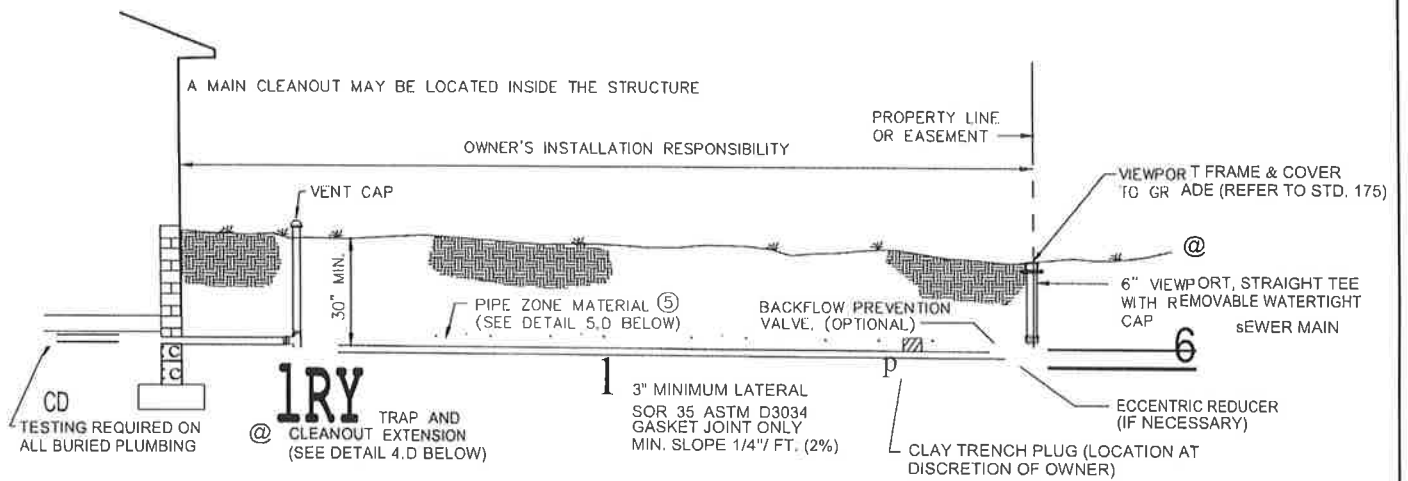


NO BASEMENT SERVICE



Drawing No. 2 - Connection Detail
TYPICAL CUSTOMER SANITARY SEWER CONNECTION DETAIL

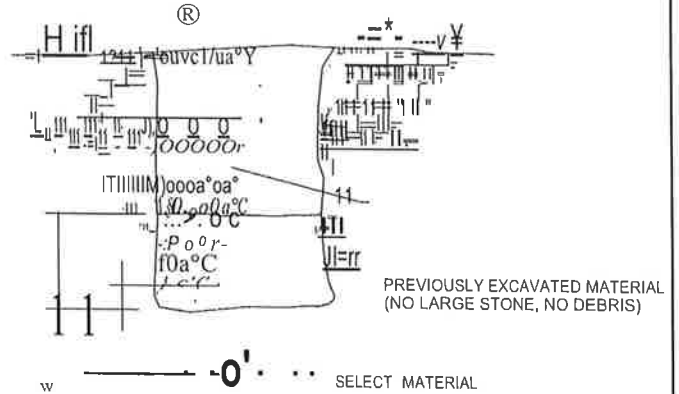
All plumbing to be connected to the City of Johnstown's system must be shown to be in a watertight condition. Sewer installation must be inspected and approved in writing by the City's Inspector. Inspector to be notified 24 hours in advance of inspection.



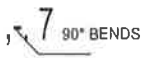
NOT TO SCALE

VENTED CAP AS NECESSARY

SEWER LATERAL CONTAINING ALL WASTEWATER FLOWS FROM STRUCTURE

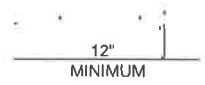


DISTANCE AS REQUIRED



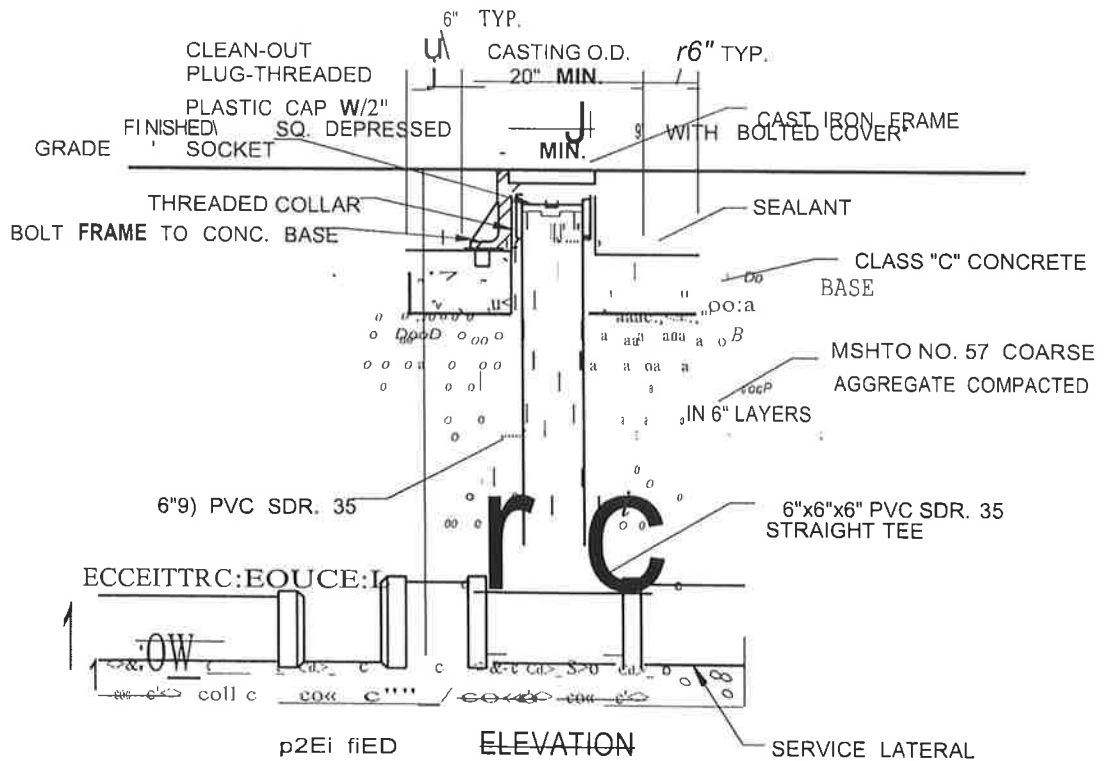
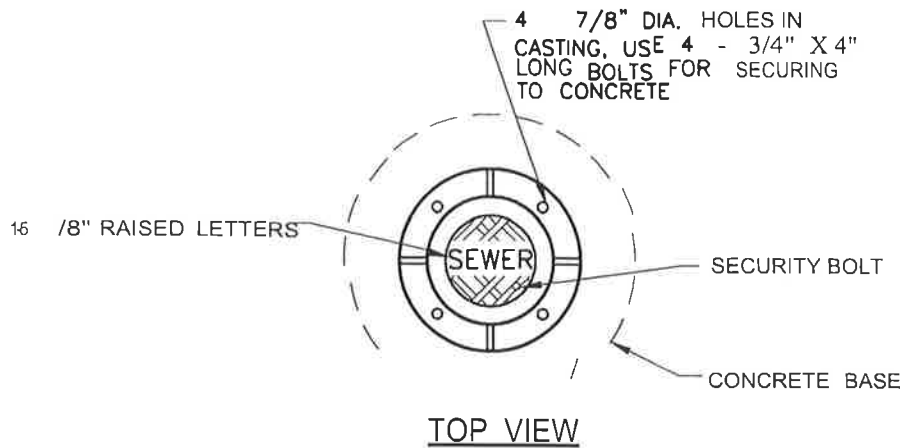
4.D SANITARY TRAP DETAIL
NOT TO SCALE

0.
a.



FOR PIPE BEDDING 2RC,
2A MODIFIED OR 2B

5.D TRENCH PROFILE DETAIL
(BACKFILLING REQUIREMENT)
NOT TO SCALE



VIEW PORT
N.T.S.

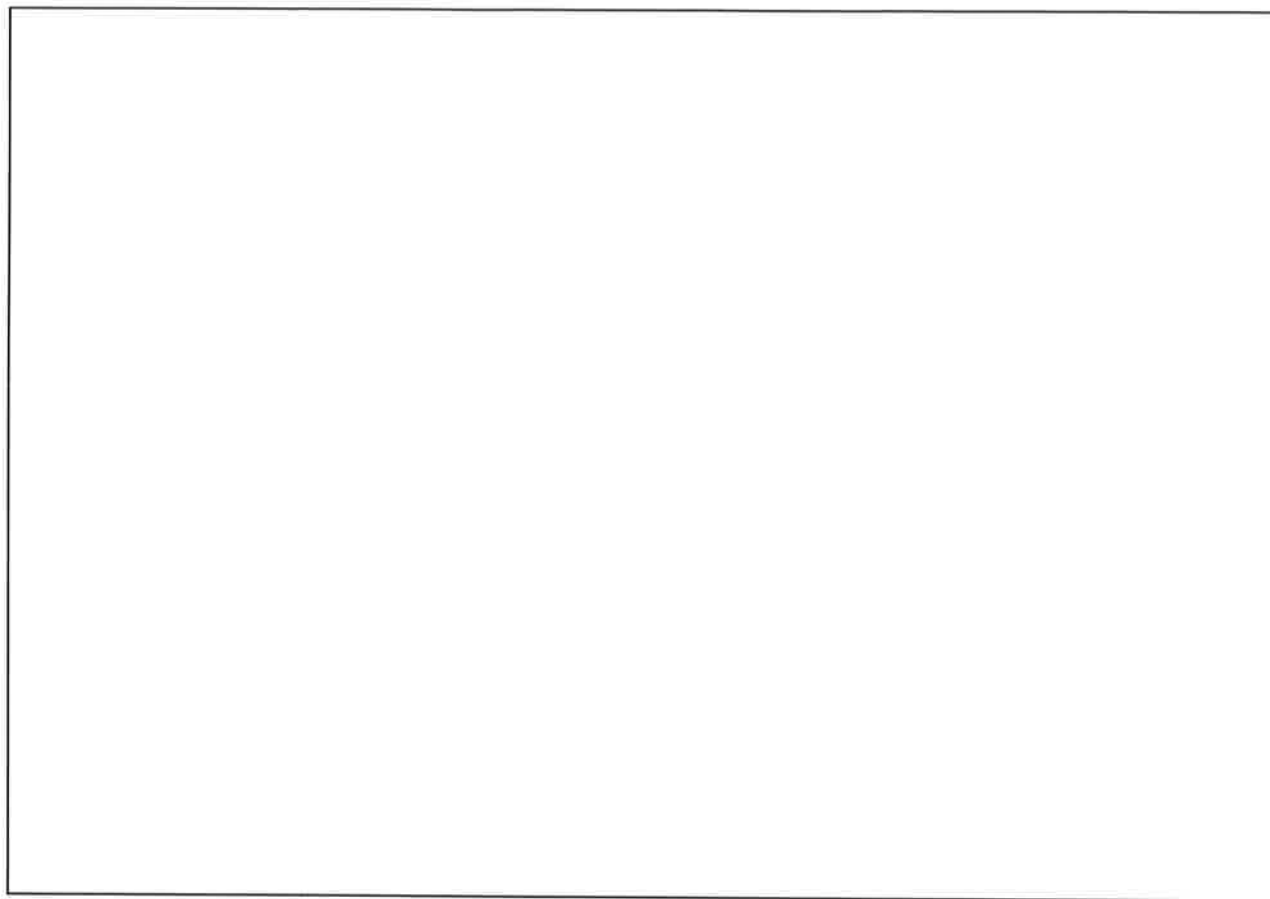
NOTE:

1. VIEWPORT FRAME AND COVER TO BE PROVIDED BY THE CITY'S SEWAGE COMPLIANCE OFFICER.
2. ECCENTRIC REDUCERS SHALL BE USED TO TRANSITION FROM 6" VIEWPORT INSTALLATION TO ALL PIPES, IF NECESSARY.

TYPICAL DETAILS	
<u>VIEWPORT DETAIL</u>	
THE EADS GROUP INC.	STD. 175

Sanitary Sewer Lateral Connection Checklist and Testing Data Sheet

SKETCH OF BUILDING SEWER TO MAIN



Depth of Lateral at Building _____ (ft.-inches)

Depth of Lateral at Viewport _____ (ft.-inches)

Lateral Pipe Material _____

Lateral Pipe Diameter _____ (inches)

Pipe Bedding Type _____

Viewport Cover _____

Intermediate Clean-outs _____

Trap _____

Is property within the 100-year floodplain? YES NO UNKNOWN

Basement service provided? YES NO

SYSTEM INTERGRITY TEST #1

Date of Test _____

Pressure at Test Bal. _____

Time On: _____

Time Off: _____

Release Air (Duration): _____

SYSTEM INTERGRITY TEST #2

Date of Test _____

Pressure at Test Bal. _____

Time On: _____

Time Off: _____

Release Air (Duration): _____

EXPOSED EXTERIOR VISUAL PIPING INSPECTION

Downspouts to Daylight: YES NO Comments _____

EXPOSED INTERIOR VISUAL PIPING INSPECTION

Interior Clean-out or Test Point: YES NO Comments _____

FOUNDATION DRAINAGE

Sump Pump Present: YES NO UNKNOWN

Gravity Foundation Drains Present: YES NO UNKNOWN

Discharge Point (Describer Location): _____

Comment and Contact sheet

Property Owner: _____

Service Address: _____

Phone Number: _____

COMMENTS: _____

FOR INTERNAL USE ONLY

Service Provider Account # _____ DBV _____ Page _____

JRS Conveyance and Treatment Account # _____

Water Provider Name _____ Water Provider Account # _____

Coordinates to Center of Property or Front Door (Circle One) _____ Lat. _____ Long. _____

**BUILDING SEWER TRAP
WAIVER AND RELEASE OF LIABILITY**

The Greater Johnstown Water Authority strongly recommends the installation of a trap in the main lateral serving each property to help to prevent odors and sewer gases from entering the building through the building sewer. The Typical Detail of the Service Connections to Sanitary Sewer provided to all customers at the time of connection shows the installation of a trap as part of the building sewer detail.

The GJWA has determined that there may be situations where the installation of such a trap is difficult to install with reasonable efforts or may not be desired, for any reason, by the property owner, therefore the GJWA will not require the installation of a trap on the main sewer lateral serving the building so long as the owner executes this Waiver and Release of Liability.

NOW THEREFORE, in consideration of the mutual covenants herein contained, the property owner(s) hereby agree as follows:

1. That the aforesaid recitals are incorporated herein by reference. The property owners are assuming full responsibility for any harm or injury caused by or attributable to, in whole or in part, the lack of a trap on the main sewer lateral.
2. That the property owner(s) for themselves, their successors, assigns, personal representatives and heirs do hereby release the Greater Johnstown Water Authority, its officers, officials, agents, servants, employees, and contractors from any and all damages, injuries, including death, as well as any claims by third parties, including but not limited to, the entry of gas and/or sewer odors into the premises and further agree to indemnify and hold harmless the Greater Johnstown Water Authority, its officers, officials, agents, servants, employees and contractors of and from any liability including attorney fees and expenses, which may arise from the non-installation of the traps.
3. The property subject to this Waiver is identified as _____
_____, Johnstown, Pennsylvania_____.

IN WITNESS WHEREOF, and intending to bound hereby, the parties hereto have set their hands and seals the day and year first below written, representing that they are the sole owners of the property or are otherwise authorized to sign this waiver.

Date: _____

Property Owner(s)

(seal)

Witness

Print Name: _____

(seal)

Witness

Print Name: _____